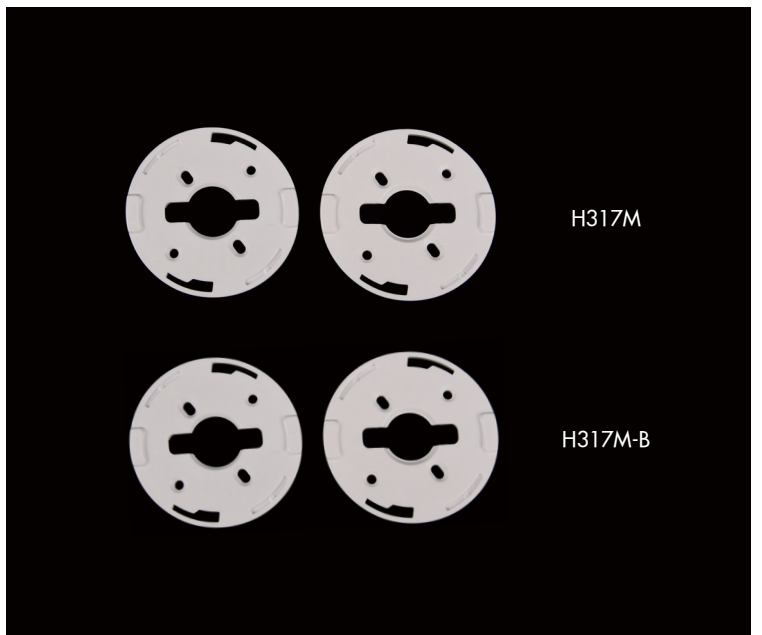
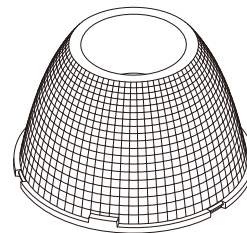
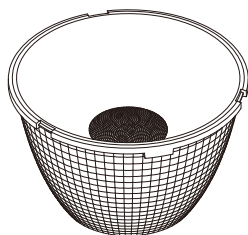
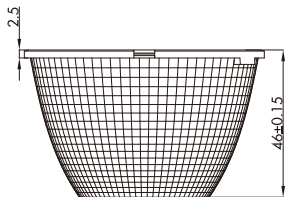
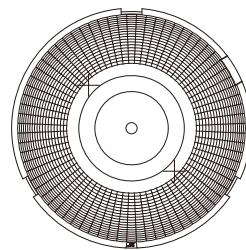
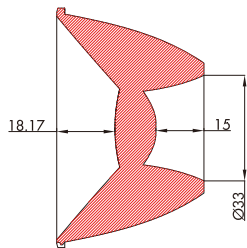
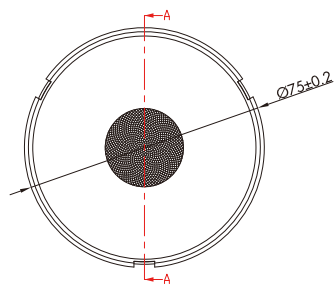


规格/TECHNICAL SPECIFICATIONS

型号/MODEL NUMBER:	I LENS146-C0B75-36-H
透镜尺寸/LENS DIMENSIONS:	Φ75.0*46.0MM
支架尺寸/HOLDER DIMENSIONS:	Φ75.0*48.55MM
定位方式/FASTENING:	锁螺丝/Screw
是否符合ROHS/ROHS COMPLIANT:	是/YES



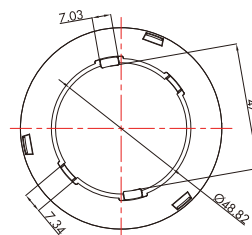
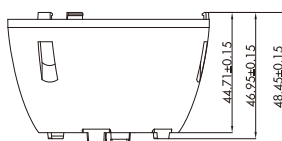
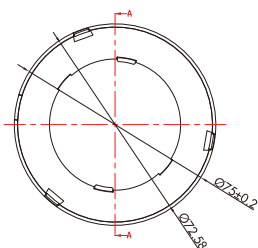
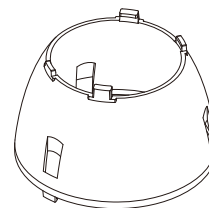
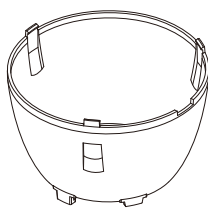
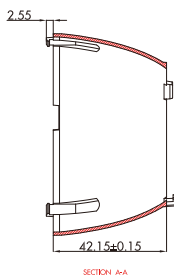
I LENS146-COB75-36-H



SECTION A-A

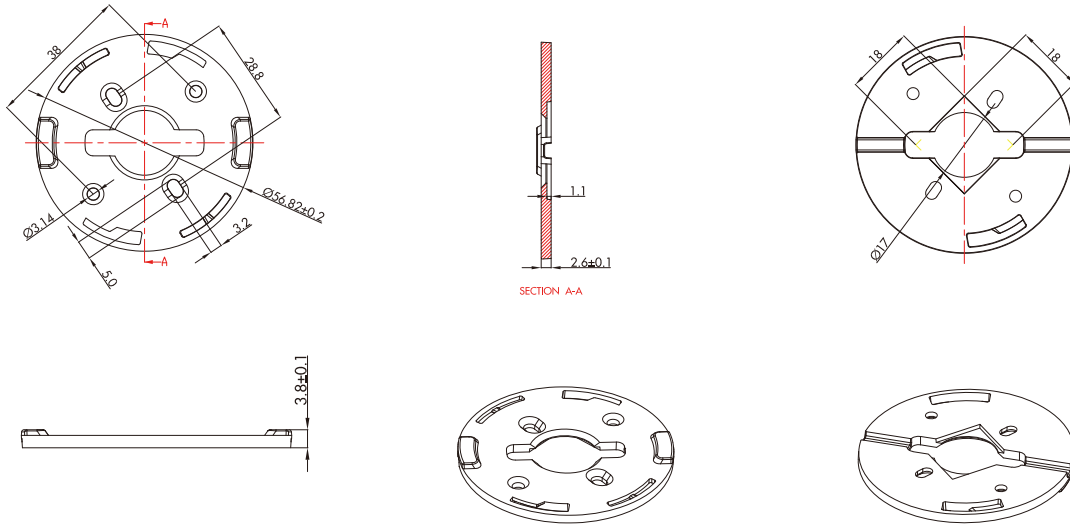
GENERAL TOLERANCES ISO2768-M (UNLESS STATED) 一般公差ISO 2768-M(除非另有说明)	MATERIAL 材质	PMMA	注意/NOTE: 1. 镜片表面应光滑无划痕、气泡、凹痕和黑点。 The surface of the lens should be smooth without scratches, bubbles, dents and black spots.	
LINEAR/线性	0~5±0.05	5~10±0.1	10~30±0.15	
ANGULAR/角度	0°~10°±1°	10°~50°±0.5°	50°~120°±0.3°	

H316M



GENERAL TOLERANCES ISO2768-M (UNLESS STATED) 一般公差ISO 2768-M(除非另有说明)	MATERIAL 材质	PC		
LINEAR/线性	0~5±0.05	5~10±0.1	10~30±0.15	
ANGULAR/角度	0°~10°±1°	10°~50°±0.5°	50°~120°±0.3°	

H317M

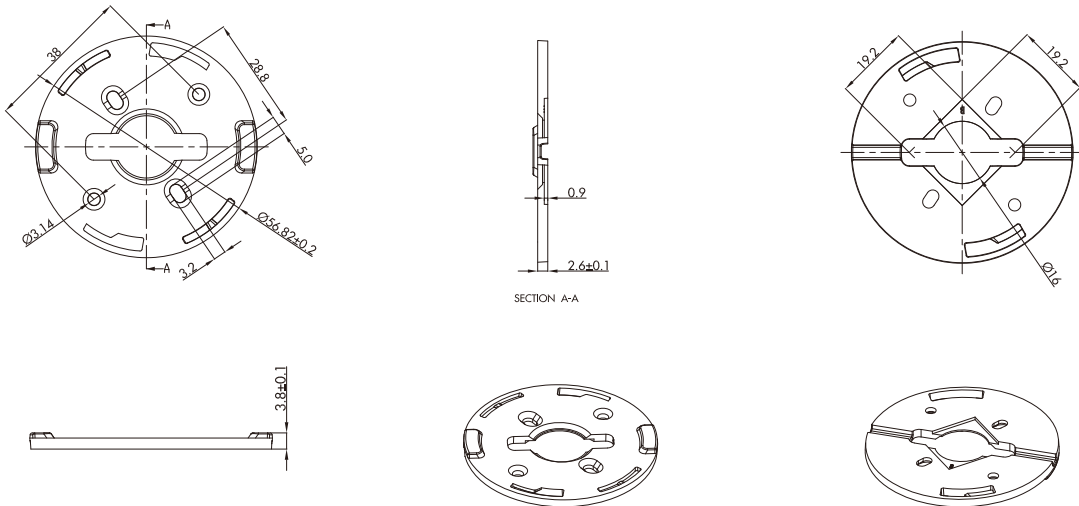


*Holder matched leds/支架匹配光源:

CREE: 1816/1820/1830

GENERAL TOLERANCES ISO2768-M (UNLESS STATED) 一般公差ISO 2768-M(除非另有说明)	MATERIAL 材质	PC		
LINEAR/线性	0~5±0.05		5~10±0.1	10~30±0.15
ANGULAR/角度	0°~10°±1°		10°~50°±0.5°	50°~120°±0.3°

H317M-B



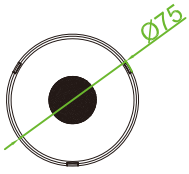
*Holder matched leds/支架匹配光源:

Luminus CXM-11 19*19

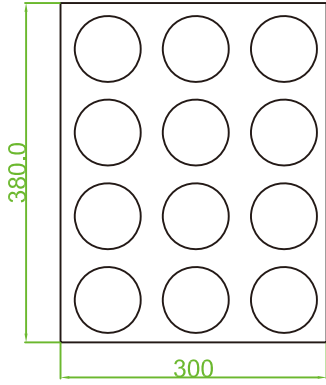
GENERAL TOLERANCES ISO2768-M (UNLESS STATED) 一般公差ISO 2768-M(除非另有说明)	MATERIAL 材质	PC		
LINEAR/线性	0~5±0.05		5~10±0.1	10~30±0.15
ANGULAR/角度	0°~10°±1°		10°~50°±0.5°	50°~120°±0.3°

产品包装/Products Packaging

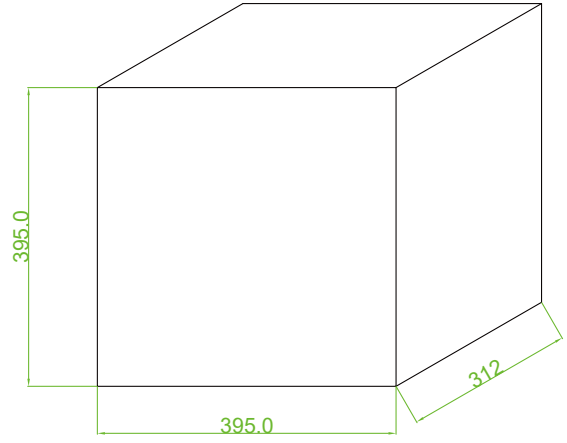
Part NO.	QTY
ILENS146-C0B75-36-H	72pcs
吸塑/Blister-380*300	6pcs
外盒/Cardboard Box-395*312*395	1pcs



ILENS146

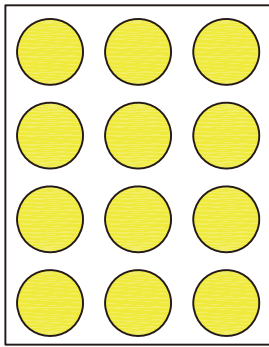


吸塑
Blister-380*300

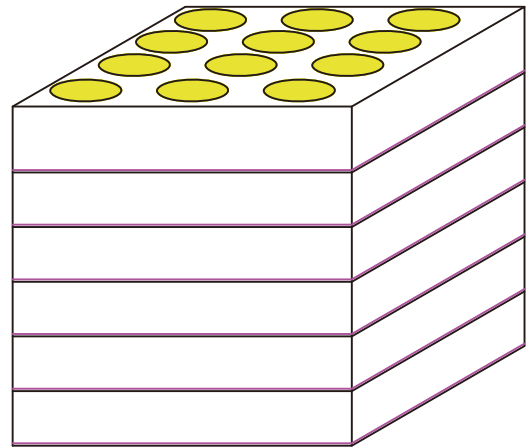


外盒
Cardboard Box-395*312*395

示意图/The schematic diagram:



3pcs*4=12pcs



12pcs*6=72pcs